

# XL<sup>3</sup> 400 and XL<sup>3</sup> 800 cabinets and enclosures

XL<sup>3</sup> 400 and XL<sup>3</sup> 800 ranges can be equipped with rails, plates and faceplates accept standard and "optimised" distribution

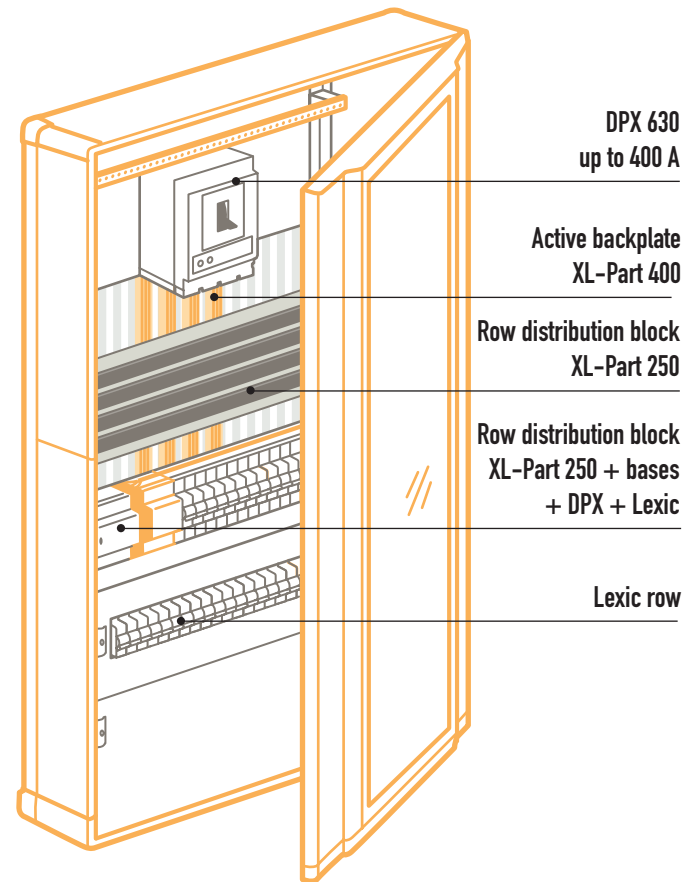
## XL<sup>3</sup> 400 range

### CABINETS AND ENCLOSURES TO BE EQUIPPED

- **METAL OR INSULATED IP 43:**
  - Takes devices up to 400 A
  - Supplied flat with functional uprights
  - Insulated cabinets supplied with active backplate
- **METAL IP 55 :**
  - Takes devices up to 250 A
  - One-piece cabinets
  - Removable chassis

### DISTRIBUTION

- **STANDARD DISTRIBUTION**
  - Terminal blocks, flat busbar/supports, distribution blocks, supply busbar
- **XL-PART OPTIMISED DISTRIBUTION**
  - XL-Part 400 active backplate for C bars, row distribution 250 A and support bases



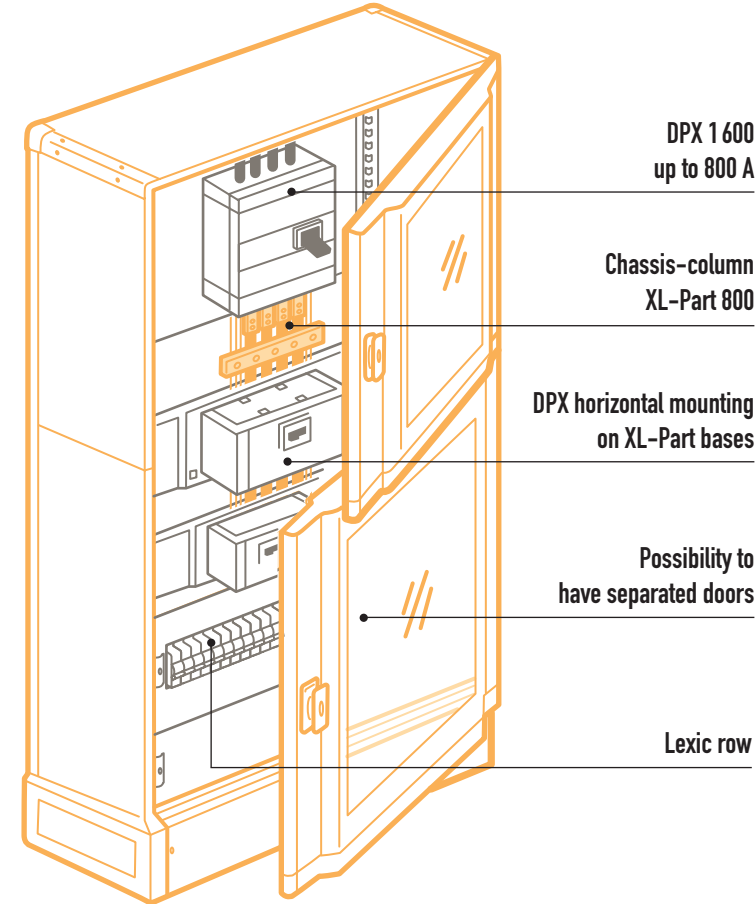
## XL<sup>3</sup> 800 range

### CABINETS AND ENCLOSURES

- **TO BE EQUIPPED (24 and 36 modules):**
  - IP 43 up to 800 A, supplied flat with functional uprights
  - IP 55 up to 630 A, supplied without side panel
- **EXTENDABLE (24 modules):**
  - IP 43 up to 800 A, supplied flat without side panel
  - Partial volumes can be created with the same backplate

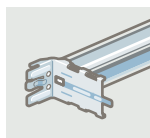
### DISTRIBUTION

- **STANDARD DISTRIBUTION**
  - Terminal blocks, flat busbar/supports, distribution blocks, supply busbar
- **XL-PART OPTIMISED DISTRIBUTION**
  - XL-Part 800 chassis-column, row distribution blocks 250 A, support bases and fixed bases for DPX 125, 250 ER and 630

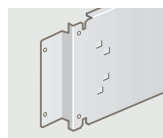


### XL<sup>3</sup> 400 AND XL<sup>3</sup> 800

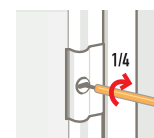
- **2-POSITION rails**



- **PLATES for direct fixing on functional uprights**



- **FACEPLATES 1/4 turn closing**



- **DOORS metal or glass, flat or curved**



See the E-Catalogue: instructions, technical data sheets, etc

**XL<sup>3</sup> 400**  
 equipment selection

Device	Fixing	Position	Type of device	Fixing device	+	Plate	Faceplate for devices		
							Height (mm)	Metal	Plastic
<b>FIXING ON DIN-RAIL</b>									
<b>Lexic &lt; 63 A</b>	Cabinet or enclosure	vertical		202 00 202 01	-		150	203 00	203 50
	Cable sleeve	vertical		202 03	-		150	203 03	203 53
<b>Lexic &gt; 63 A</b>	Cabinet or enclosure	vertical		202 00 202 01	-		200	203 01	203 51
	Cable sleeve	vertical		202 03	-		200	203 04	-
<b>Vistop 63 to 160 A</b>	Cabinet or enclosure	vertical		202 00 202 01	-		200	203 01	203 51
<b>DPX 125</b>	Cabinet or enclosure	vertical	with modular devices	202 00		262 08	200	203 01	203 51
<b>DPX 160</b>	Cabinet or enclosure	vertical	with modular devices	202 00		262 09	300	203 10	203 60
<b>DPX 250 ER</b>	Cabinet or enclosure	vertical	with modular devices	202 00		262 09	300	203 10	203 60
<b>DPX-IS 250</b>	Cabinet or enclosure	vertical	with modular devices	202 00		262 39	300	203 10	203 60
<b>FIXING ON PLATE</b>									
<b>DPX 125</b> (Combination possible with DPX 160 and DPX 250 ER)	Cabinet or enclosure	vertical	1 to 4 devices, no e.l.c.bs	-		202 10	300	203 10	203 60
		vertical	1 to 3 devices, with e.l.c.bs	-		202 12	400	203 12 <sup>(1)</sup>	203 62 <sup>(1)</sup>
	horizontal	1 device with or without e.l.c.bs	-		202 14	200	203 14	203 64 <sup>(1)</sup>	
	Cable sleeve	vertical	no e.l.c.bs	-		202 18	300	203 18	-
vertical		with e.l.c.bs	-		202 19	400	203 19 <sup>(1)</sup>	-	
<b>DPX 160</b> (Combination possible with DPX 125 and DPX 250 ER)	Cabinet or enclosure	vertical	1 to 3 devices, no e.l.c.bs	-		202 10	300	203 10	203 60
		vertical	1 to 3 devices, with e.l.c.bs	-		202 12	400	203 12 <sup>(1)</sup>	203 62 <sup>(1)</sup>
	horizontal	with or without e.l.c.bs	-		202 14	200	203 15	203 64 <sup>(1)</sup>	
	Cable sleeve	vertical	no e.l.c.bs	-		202 18	300	203 18	-
vertical		with e.l.c.bs	-		202 19	400	203 19 <sup>(1)</sup>	-	
<b>DPX 250 ER</b> (Combination possible with DPX 125 and DPX 160 ER)	Cabinet or enclosure	vertical	1 to 3 devices, no e.l.c.bs	-		202 10	300	203 10	203 60
		vertical	1 to 3 devices, with e.l.c.bs	-		202 12	400	203 12 <sup>(1)</sup>	203 62 <sup>(1)</sup>
	horizontal	with or without e.l.c.bs	-		202 16	200	203 16	203 64 <sup>(1)</sup>	
	Cable sleeve	vertical	no e.l.c.bs	-		202 18	300	203 18	-
vertical		with e.l.c.bs	-		202 19	400	203 19 <sup>(1)</sup>	-	
<b>DPX-IS 250</b>	Cabinet or enclosure	vertical	device only in central position	-		202 05	300	203 10	203 60
<b>DPX 250</b>	Cabinet or enclosure	vertical	1 to 2 devices, no e.l.c.bs	-		202 20	400	203 20	203 70
			device only in central position	-		202 21	400	203 21	203 71
		vertical	1 to 2 devices, with e.l.c.bs	-		202 22	600	203 22	203 72
		vertical	with centred e.l.c.bs	-		202 23	600	203 23	203 73
	horizontal	with or without e.l.c.bs	-		202 24	200	203 24	203 74	
	Cable sleeve	vertical	device only	-		202 28	400	203 28	-
with e.l.c.bs			-		202 29	800	203 29	-	
<b>DPX 630</b>	Cabinet or enclosure	vertical	1 device, no e.l.c.bs	-		202 20	400	203 20	203 70
			device only centred downstream	-		202 21	400	203 21	203 71
			1 device, with e.l.c.bs	-		202 22	600	203 22	203 72
			with centred e.l.c.bs	-		202 23	600	203 23	203 73
	Cable sleeve	vertical	device only	-		202 28	400	203 28	-
with e.l.c.bs			-		202 29	800	203 29	-	
<b>DPX-IS 630</b>	Cabinet or enclosure	vertical	device only	-		202 07	400	203 07	-

(1) With window adaptor, to be ordered separately, Cat.Nos below:  
 203 67: adaptor for DPX 125 earth leakage module  
 203 68: adaptor for DPX 160 earth leakage module  
 203 69: adaptor for DPX 250 ER earth leakage module

# XL<sup>3</sup> 400

distribution cabinets and enclosures



Dimensions (p. 187)

Take devices up to 400 A  
 Fireproof to 750 °C/5 s in accordance with IEC 60 695-2 for installation in public buildings (up to 100 kVA for Class II cabinets)  
 Capacity: 24 modules per row  
 RAL 7035  
 Door to be ordered separately  
 Supplied flat with functional uprights fitted on the back, adjustable cable entry plate and joining accessories (horizontal and vertical)

Pack	Cat.Nos	Metal cabinets				
		IP 43 - IK 08 with kit and door IP 40 - IK 08 with door IP 30 - IK 07 without door				
		<b>To be equipped</b>				
		Height (mm)	Faceplate height (mm)	Width (mm)		Depth (mm)
				total	usable	
1	201 03	600	550	575	515	175
1	201 04	750	700	575	515	175
1	201 05	900	850	575	515	175
1	201 06	1 050	1 000	575	515	175
1	201 07	1 200	1 150	575	515	175
1	201 08	1 500	1 450	575	515	175
		<b>Cable sleeves</b>				
1	201 23	600	550	310	250	175
1	201 24	750	700	310	250	175
1	201 25	900	850	310	250	175
1	201 26	1 050	1 000	310	250	175
1	201 27	1 200	1 150	310	250	175
1	201 28	1 500	1 450	310	250	175

Pack	Cat.Nos	Metal enclosures				
		IP 43 - IK 08 with kit and door IP 40 - IK 08 with door IP 30 - IK 07 without door				
		<b>To be equipped</b>				
		Supplied with plinth, height 100 mm				
		Height (mm)	Faceplate height (mm)	Width (mm)		Depth (mm)
				total	usable	
1	201 18	1 600	1 450	575	515	175
1	201 19	1 900	1 750	575	515	175
		<b>Cable sleeves</b>				
		Supplied with plinth, height 100 mm				
1	201 38	1 600	1 450	310	250	175
1	201 39	1 900	1 750	310	250	175

Pack	Cat.Nos	Insulating cabinets				
		IP 43 - IK 07 with kit and door IP 40 - IK 07 with door IP 30 - IK 04 without door Class II				
		<b>To be equipped</b>				
		Supplied with active backplate which takes the C-section busbar distribution system				
		Height (mm)	Faceplate height (mm)	Width (mm)		Depth (mm)
				total	usable	
1	201 53	600	550	575	515	175
1	201 54	750	700	575	515	175
1	201 55	900	850	575	515	175
1	201 56	1 050	1 000	575	515	175
1	201 57	1 200	1 150	575	515	175
		<b>Cable sleeves</b>				
1	201 73	600	550	310	250	175
1	201 74	750	700	310	250	175
1	201 75	900	850	310	250	175
1	201 76	1 050	1 000	310	250	175
1	201 77	1 200	1 150	310	250	175

**Distribution equipment and faceplates**  
 (p. 181 to 184)

**Cabling accessories** (p. 185)

**Distribution** (p. 228)

# XL<sup>3</sup> 400

## doors and equipment



202 55



202 65



202 59



202 69



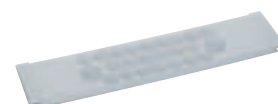
202 73



202 83



201 50



201 21

Pack	Cat.Nos		Doors		
			Supplied with handle with interchangeable key barrels (to be ordered separately)		
			<b>Curved</b>		
	Metal	Glass	For cabinet/enclosure Height (mm)	Faceplate/door distance	
				Metal	Glass
1	202 53	202 63	600	57	53
1	202 54	202 64	750	57	53
1	202 55	202 65	900	57	53
1	202 56	202 66	1 050	57	53
1	202 57	202 67	1 200	57	53
1	202 58	202 68	1 500/1 600	57	53
1	202 59	202 69	1 900	57	53
	Metal	Glass	<b>Flat<sup>(1)</sup></b>		
1	202 73	202 83	600	38	34
1	202 74	202 84	750	38	34
1	202 75	202 85	900	38	34
1	202 76	202 86	1 050	38	34
1	202 77	202 87	1 200	38	34
1	202 78	202 88	1 500/1 600	38	34
1	202 79	202 89	1 900	38	34
	Metal		For cable sleeves Height (mm)		
1	201 63		600	38	
1	201 64		750	38	
1	201 65		900	38	
1	201 66		1 050	38	
1	201 67		1 200	38	
1	201 68		1 500/1 600	38	
1	201 69		1 900	38	
			<b>Key barrels and knockout</b>		
			For metal or transparent doors		
			Supplied with a set of 2 keys		
1	202 91		Type 405		
1	202 92		Type 455		
1	202 93		Type 1 242E		
1	202 94		Type 2 433A		
1	202 96		Double bar knockout		

Pack	Cat.Nos	Equipment
1	201 30	<b>Seal for IP 43 protection</b> Supplied ready to use
		<b>Cable fixing supports</b>
1	201 35	For fixing ties for holding cables in place on entry to the cabinet
1	201 37	For cabinets and enclosures For cable sleeves
		<b>Plinths</b>
		Height 100 mm
1	201 10	For cabinets and enclosures
1	201 12	For cable sleeves
		<b>Universal support for cable sleeves</b>
		For mounting terminal blocks, earth terminals...
1	201 96	Set of 3 metal supports
		<b>Divider for horizontal compartmentalisation</b>
1	201 90	Metal divider
		<b>Cable entry plates</b>
1	201 20	Additional adjustable plate for XL <sup>3</sup> 400 metal
		<b>Wall mounting lugs</b>
		Set of 4 lugs
1	201 00	Metal for XL <sup>3</sup> 400 metal cabinets
1	201 50	Plastic for XL <sup>3</sup> 400 insulated cabinets
		<b>Horizontal joining strengthening bar</b>
1	201 51	Set of 2 metal bars for additional strength when joining 2 XL <sup>3</sup> 400 insulated cabinets
		<b>Plates with knock-out entries</b>
		2 x Ø4 to 32 mm and 22 x Ø4 to 20 mm
1	201 21	For XL <sup>3</sup> 400 metal
1	201 71	For XL <sup>3</sup> 400 insulating
		<b>Self-adhesive document holders for plan</b>
10	097 99	Flexible plastic - A4
1	365 82	Rigid plastic closed - IP 50 324 x 120 x 18 mm

**Distribution equipment and faceplates**  
(p. 181 to 184)

**Cablings accessories** (p. 185)

**Distribution** (p. 228)

(1) Not suitable for Vistop with front handle

## XL<sup>3</sup> 400

IP 55 distribution cabinets



201 82



201 85

IP 55 - IK 08

One-piece metal enclosure

Supplied with reversible solid door fitted with handle, interchangeable key barrels (to be ordered separately, see p. 179) and wall-mounting lugs

Capacity: 24 modules per row

Removable chassis

Fireproof to 750 °C/5 s in accordance with IEC 60695-2-1 for installation in public buildings

RAL 7035

Can take devices up to 250 A

For industrial external use and urban use undershelter

Pack	Cat.Nos	Cabinets					
		Height (mm)	Faceplate height (mm)	Width (mm)		Depth (mm)	Faceplate/door distance (mm)
				external	usable		
1	201 82	515	400	655	515	215	48
1	201 83	715	600	655	515	215	48
1	201 84	915	800	655	515	215	48
1	201 85	1115	1000	655	515	215	48

		Accessories	
1	364 97	<b>Cabstop cable entry plates</b>	Plate 28 entries Ø5 to 14 mm 2 entries Ø14 to 24 mm 2 spare 100 mm
1	201 35	<b>Cable fixing support</b>	For fixing ties for holding cables in place on entry to the cabinet
1	201 90	<b>Divider</b>	For horizontal compartmentalisation

**Distribution equipment and faceplates**  
(p. 181 to 184)

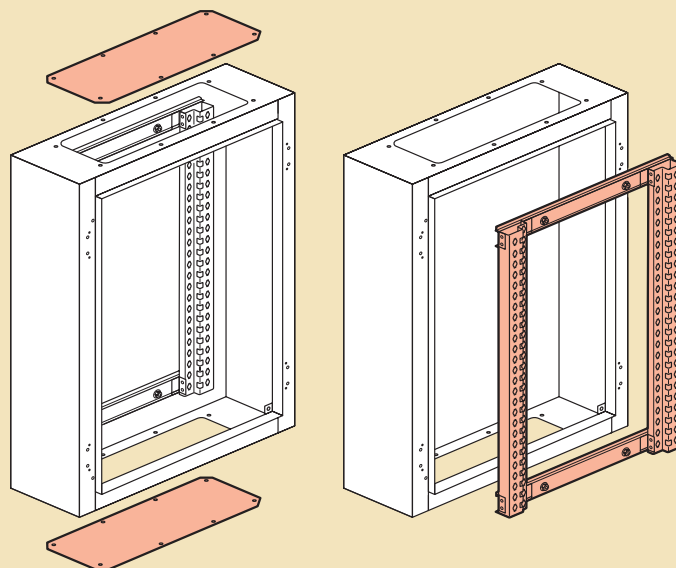
**Cabling accessories** (p. 186)

**Distribution** (p. 228)

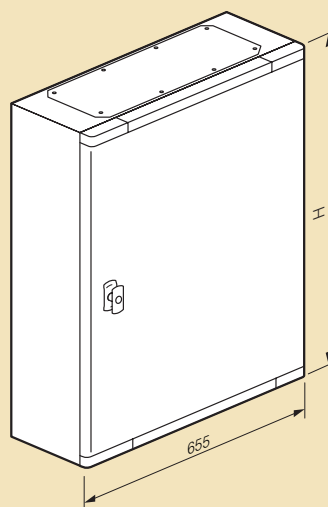
## XL<sup>3</sup> 400

IP 55 distribution cabinets

### Installation principle

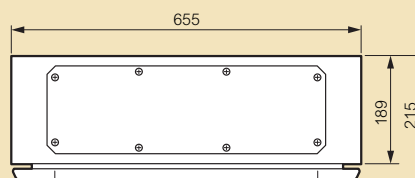


### Dimensions



Cat.Nos	H (mm)
201 82	515
201 83	715
201 84	915
201 85	1115

With flat door



## XL<sup>3</sup> 400

equipment for mounting on rail : Lexic, Vistop up to 160 A, DPX 125, 160, 250 ER and DPX-IS 250



202 01

202 00



203 00

203 01

### Pack Cat.Nos Fixing rails

Pack	Cat.Nos	Description
1	202 01	Comprising: a rail  and 2 fixing brackets Fit onto functional uprights Take wire guides Cat.No 200 94 <b>1 position rail </b> For Lexic modular devices and Vistop up to 160 A
1	202 00	<b>2 positions aluminium rail </b> For DPX 125, 160, 250 ER and DPX-IS 250 with plates Takes row distribution blocks XL-Part 100 and 125
<b>Plates for mounting DPX on rail </b>		
For mounting DPX on aluminium profile rail Cat.No 202 00		
1	262 08	For DPX 125
1	262 09	For DPX 160 and DPX 250 ER
1	262 39	For DPX-IS 250
<b>Rail height spacer</b>		
1	262 99	Fits on a rail ; used to mount on the same row DX and DPX/DPX-IS mounted on plate Cat.Nos 262 08/09/39 20 modules

### Faceplates

1/4 turn fastening and sealable

#### For Lexic modular devices

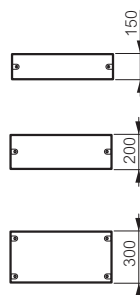
1	203 00	Metal
1	203 50	Insulating

#### For Vistop up to 160 A and DPX 125

1	203 01	Metal
1	203 51	Insulating

#### For 1 to 3 DPX 125, 160, 250 ER, or DPX-IS 250, and Vistop up to 160 A

1	203 10	Metal
1	203 60	Insulating

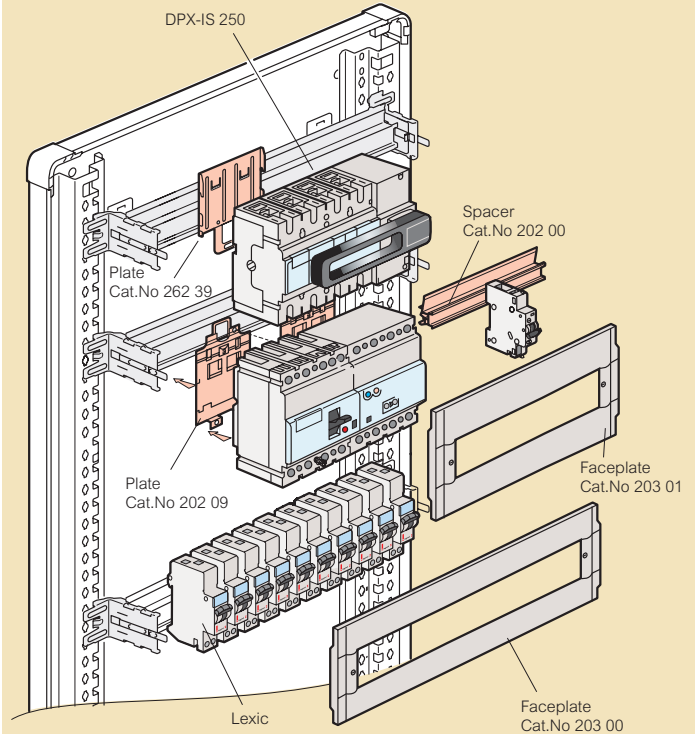


## XL<sup>3</sup> 400

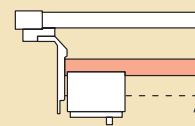
equipment for mounting on rail : Lexic, Vistop up to 160 A, DPX 125, 160, 250 ER and DPX-IS 250

### Principle for installation of aluminium rail Cat.No 202 00

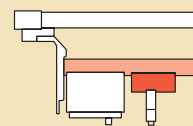
Adjustable device upper position for Lexic device and lower position for DPX  
No screws required for installation



#### Lower position

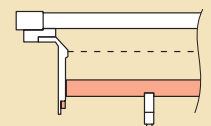


DPX only



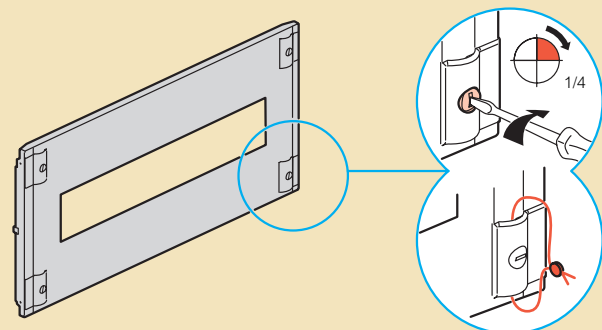
DPX + spacer for Lexic devices

#### Upper position



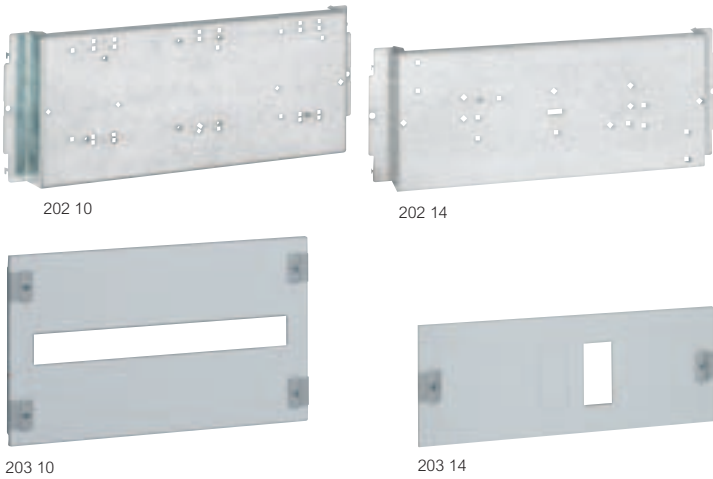
For Lexic devices

### 1/4 turn fastening and sealable insulating faceplate



## XL<sup>3</sup> 400

equipment for mounting on plate: DPX 125, 160, 250 ER and DPX-IS 250



Pack	Cat.Nos	Plates for fixed version devices with front terminals
		An additional rail  can be installed Fit onto functional uprights
		<b>Devices in vertical position</b> For mounting and combining 1 to 3 devices <sup>(1)</sup>
1	202 05	For 1 DPX-IS 250
1	202 10	For 1 to 3 DPX <sup>(1)</sup>
1	202 12	For 1 to 3 DPX with downstream earth leakage module
		<b>Device in horizontal position</b> For cut-out protection for cable passing, use seal Cat.No 202 40 (p. 185)
1	202 14	For 1 DPX 125 or DPX 160 with or without earth leakage module
1	202 16	For 1 DPX 250 ER with or without earth leakage module

Pack	Faceplates		Devices in vertical position	Devices in horizontal position
	Metal	Insulating		
1	203 10	203 60	For 1 to 3 DPX <sup>(1)</sup> or 1 DPX-IS 250 only	
1	203 12 <sup>(2)</sup>	203 62 <sup>(2)</sup>	For 1 to 3 DPX with earth leakage module	
1	203 14	203 64 <sup>(2)</sup>	For DPX 125 with or without earth leakage module	
1	203 15	203 64 <sup>(2)</sup>	For DPX 160 with or without earth leakage module	
1	203 16	203 64 <sup>(2)</sup>	For DPX 250 ER with or without earth leakage module	

Pack	Cat.Nos	Window adaptors
1	203 67	For DPX 125 with downstream earth leakage module
1	203 68	For DPX 160 with downstream earth leakage module
1	203 69	For DPX 250 ER with downstream earth leakage module

**Universal plates** (p. 185)

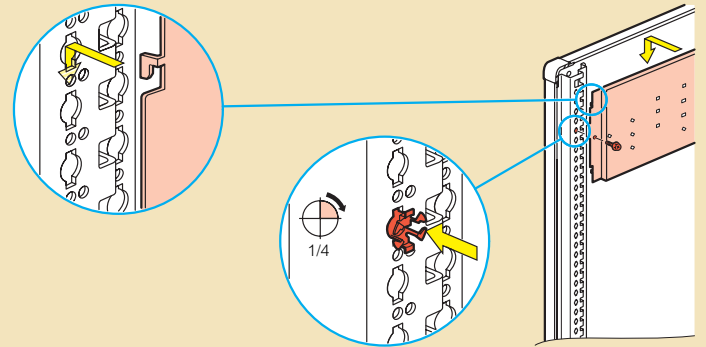
(1) Possibility to mount 4 DPX 125  
(2) With window adaptor (to be ordered separately)

## XL<sup>3</sup> 400

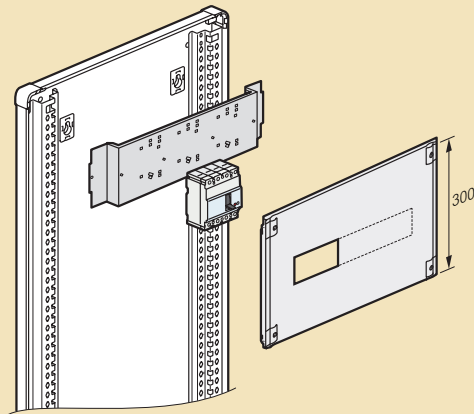
equipment for mounting on plate: DPX 125, 160, 250 ER and DPX-IS 250

### Installation principle

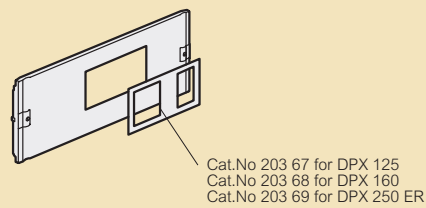
Plates attached and fitted directly on functional uprights



### Device only

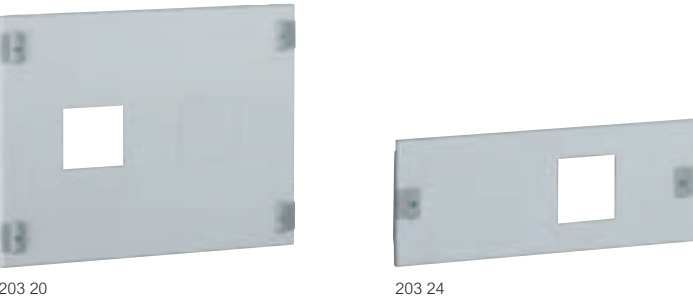
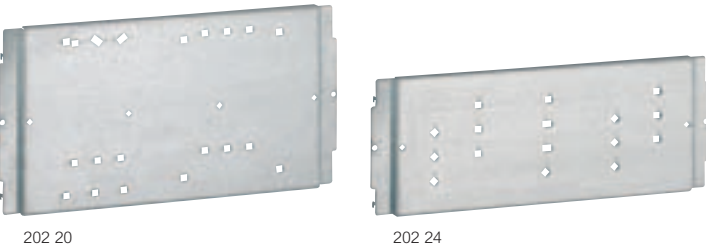


### Window adaptor



# XL<sup>3</sup> 400

equipment for mouting on plate: DPX 250, 630 and DPX-IS 630



Pack	Cat.Nos
1	202 07
1	202 20
1	202 21
1	202 22
1	202 23
1	202 24

### Plates for fixed version devices with front terminals

An additional rail can be installed Fit onto functional uprights

#### Devices in vertical position

- For 1 DPX-IS 630<sup>(1)</sup>
- For 1 to 2 DPX 250 or 1 DPX 630<sup>(1)</sup> and 1 DPX 250 or 1 DPX 630 only or 1 DPX 250 with 1 distribution block Cat.No 374 00
- For 1 DPX 250 or 1 DPX 630<sup>(1)</sup> in central position
- For 1 to 2 DPX 250 with e.l.c.b. or 1 DPX 630<sup>(1)</sup> and 1 DPX 250 with e.l.c.b. or 1 DPX 630<sup>(1)</sup> only or 1 DPX 250 with e.l.c.b. with 1 distribution block Cat.No 374 00
- For 1 DPX 250 or DPX 630<sup>(1)</sup> with earth leakage module in central position

#### Device in horizontal position

- For cut-out protection for cable passing, use seal Cat.No 202 40 (p. 185)
- For 1 DPX 250 with or without earth leakage module

	1/4 turn faceplates	
	Metal	Insulating
1	203 07	
1	203 20	203 70
1	203 21	203 71
1	203 22	203 72
1	203 23	203 73
1	203 24	203 74

### 1/4 turn faceplates

Fastening and sealable

#### Devices in vertical position

- For DPX-IS 630<sup>(1)</sup>
- For 1 to 2 DPX 250 or 1 DPX 630<sup>(1)</sup> and 1 DPX 250 or 1 DPX 630 only or 1 DPX 250 with 1 distribution block Cat.No 374 00
- For 1 DPX 250 or 1 DPX 630<sup>(1)</sup> in central position
- For 1 to 2 DPX 250 with e.l.c.b. or 1 DPX 630<sup>(1)</sup> and 1 DPX 250 with e.l.c.b. or 1 DPX 630<sup>(1)</sup> only or 1 DPX 250 with e.l.c.b. with 1 distribution block Cat.No 374 00
- For 1 DPX 250 or DPX 630<sup>(1)</sup> with earth leakage module in central position

#### Device in horizontal position

- For 1 DPX 250 with or without earth leakage module

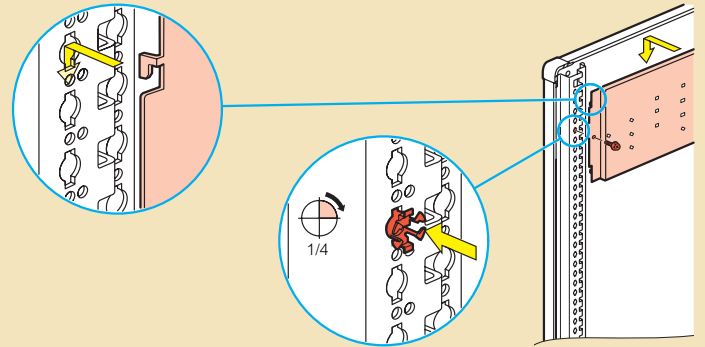
(1) Limited to 400 A

# XL<sup>3</sup> 400

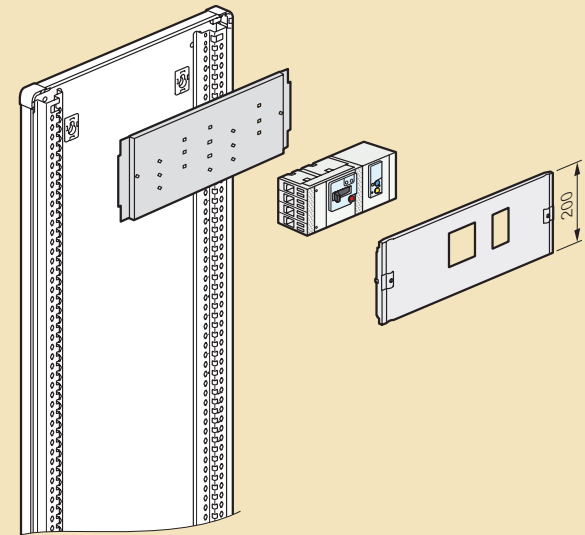
equipment for mouting on plate: DPX 250, 630 and DPX-IS 630

## Installation principle

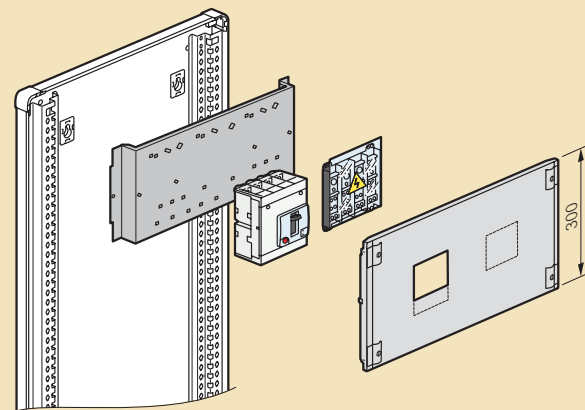
Plates attached and fitted directly on functional uprights



### Device with earth leakage module



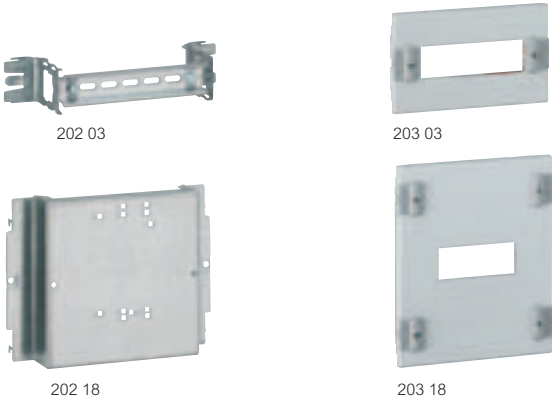
### Device with distribution block





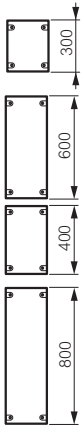
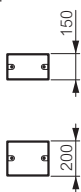
## XL<sup>3</sup> 400

equipment for mounting devices on rail or on plate in cable sleeves



Fixing on rail with faceplates for modular devices up to 160 A  
Fixing on plates with faceplates for DPX 125, 160, 250 ER and 630<sup>(1)</sup>

Pack	Cat.Nos	Fixing on rail  modular devices and Vistop up to 160 A
1	202 03	Comprising a rail  and 2 fixing brackets Fit onto functional uprights Take wire guides Cat.No 200 94 Capacity: 9 modules
1	203 03	<b>1/4 turn faceplates for mounting on rail </b> Fastening and sealable for devices on rail <b>For modular devices</b> Metal Insulating <b>For modular devices and Vistop up to 160 A</b> Metal
1	203 04	
1	202 18	<b>Plates for fixed version devices with front terminals</b> <b>Devices in vertical position</b> Fit onto functional uprights For DPX 125, 160 and 250 ER For DPX 125, 160 and 250 ER, with downstream earth leakage module For DPX 250 or DPX 630 <sup>(1)</sup> For DPX 250 or DPX 630 <sup>(1)</sup> , with downstream earth leakage module
1	202 19	
1	202 28	
1	202 29	
1	203 18	<b>1/4 turn faceplates for mounting on plates</b> Fastening and sealable for devices on plates For DPX 125, 160 and 250 ER For DPX 125, 160 and 250 ER with earth leakage module For DPX 250 and 630 <sup>(1)</sup> For DPX 250 et 630 <sup>(1)</sup> with earth leakage module
1	203 19 <sup>(2)</sup>	
1	203 28	
1	203 29	
1	203 67	<b>Window adaptors</b> For DPX 125 with downstream earth leakage module For DPX 160 with downstream earth leakage module For DPX 250 ER with downstream earth leakage module
1	203 68	
1	203 69	

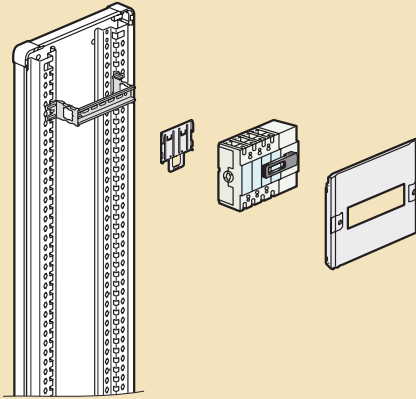


## XL<sup>3</sup> 400

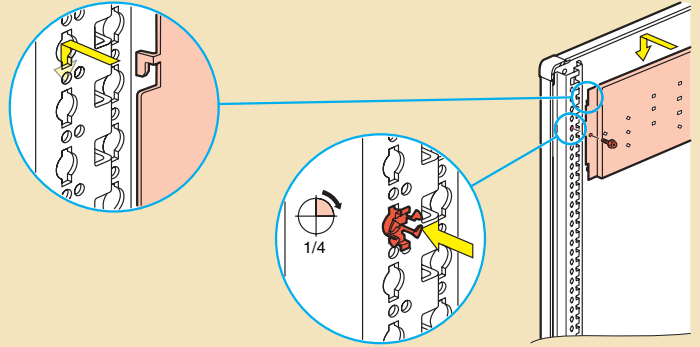
equipment for mounting devices on rail or on plate in cable sleeves

### Installation device

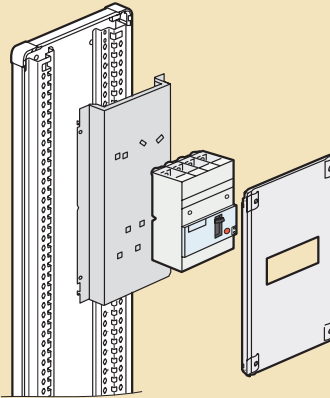
#### Fixing on rail



#### Plates attached and fitted directly on functional uprights



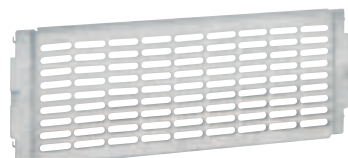
#### Mounting on plate



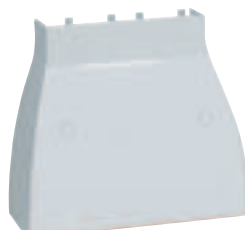
(1) Limited to 400 A  
(2) With window adaptor (to be ordered separately)

# XL<sup>3</sup> 400

## accessories and faceplates



202 41



201 60



200 92



202 04



202 02



201 45

Pack	Cat.Nos	Accessories
1	202 41	<b>Perforated universal plates</b> Fit directly onto functional uprights Height 200 mm for cabinets and enclosures
1	202 42	Height 300 mm for cabinets and enclosures
2	202 43	Height 300 mm for cable sleeves
100	364 40	<b>Clips nuts for perforated plates</b> For M4 screws
100	364 41	For M5 screws
1	201 60	<b>Finishing strip</b> For a perfect finish at the join between DLP trunking and XL <sup>3</sup> 400 cabinets or enclosures RAL 7035
1	202 04	<b>Universal rail</b> Fits onto functional uprights Width 515 mm
1	202 02	<b>Universal adjustable fixing device</b> Comprising a rail  and 2 adjustable fixing brackets Fits onto functional uprights of XL <sup>3</sup> 400
1	200 90	<b>Insulating fixing support</b> Set of 2 supports Fits directly on functional uprights in XL <sup>3</sup> 400/800 cabinets or enclosures For creating an insulated earth with 12 x 4 mm copper bar (Cat.No 373 49) or flat bar 12 x 2 mm (Cat.No 048 19) and IP 2X terminal block Also takes universal rails Cat.Nos 202 04, 206 05/54
20	200 92	<b>Clip nuts for functional uprights</b> 1/4 turn fastening on front panel Clip nuts for M6 screw
50	200 91	<b>Screws</b> M6 screws
6	200 98	<b>Aerosol paint spray</b> RAL 7035
1	203 89	<b>Lighting kit</b> For mounting on supplied plate
1	202 40	<b>Protection seal</b> For cut-out protection on plate Length 20 m, can be cut to length

Pack	Cat.Nos		1/4 turn solid faceplates
			<b>For cabinets and enclosures</b> Fastening and sealable Height (mm)
	Metal	Insulating	
1	203 40	203 90	50
1	203 41	203 91	100
1	203 42	203 92	150
1	203 43	203 93	200
1	203 44	203 94	300
			<b>For cable sleeves</b>
1	201 41		50
1	201 42		100
1	201 40		200
1		201 97	300
1		201 98	400
1	201 43	201 99	550
1	201 44		700
1	201 45		850
1	201 46		1000
1	201 47		1150
1	201 48		1450
1	201 49		1750
			<b>Blanking plates</b> RAL 7035 24 modules, smooth adjustable strip 18 modules, separable into modules or 1/2 modules
20	200 51		
10	016 65		
10	203 99		<b>Clip-on holder for adhesive labels</b> Supplied with sheet of labels for marking rows on faceplate

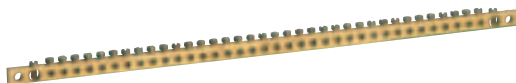
**XL-Part, busbar supports and bars**  
(p. 236 to 255)

# XL<sup>3</sup> 400

## wiring and connection accessories



201 70



373 00



201 93



2 x 393 99 + 1 x 373 00 mounted

Pack	Cat.Nos	Wiring
1	201 70	<b>Lina 25 ducting fixing support</b> Set of 2 supports For fixing and height adjustment of Lina 25 ducting: - vertical: 40 x 60 or 40 x 80 - horizontal: 40 x 60 Supplied with insulating rivets Fit directly onto functional uprights
		<b>Lina 25 ducting</b> Length: 2 m Width x Height (mm)
48	362 07	40 x 60
40	362 08	40 x 80
50	367 74	<b>Insulating screw</b> M6 x 10
100	200 80	<b>Insulating rivet</b> For fixing ducting onto functional uprights
10	200 94	<b>Wire guides</b> For horizontal wiring Fits directly on rail  Cat.No 202 01 (p. 181) Takes bar Cat.No 373 00 and bar 12 x 4 with clamps Cat.No 373 02
10	201 93	<b>Support end cap</b> For vertical wiring Fits directly onto functional uprights in XL <sup>3</sup> 400 cabinets and enclosures

Pack	Cat.Nos	Connection of protective conductor
10	048 19	<b>Flat bar 12 x 2</b> Length 1 meter. Takes IP 2X terminal blocks Fits onto functional uprights in XL <sup>3</sup> 400 cabinets and enclosures, or on insulating supports Cat.No 200 90
1	373 00	<b>Brass bar</b> Length 416 mm, 12 x 6.5 mm cross-section Fits directly on integrated supports in XL <sup>3</sup> 160 or on rail  with wire guides Cat.No 200 94 or on support end cap Cat.No 393 99 • 36 holes Ø5.3 mm (1.5 to 10 mm <sup>2</sup> ) • 2 holes Ø9 mm (35 mm <sup>2</sup> )
1	373 01	<b>Brass bar for protective conductor</b> Length 456 mm, 12 x 6.5 mm cross-section (24 modules) • 36 holes Ø5.3 mm (1.5 to 10 mm <sup>2</sup> ) • 2 holes Ø9 mm (35 mm <sup>2</sup> ) • 4 holes Ø6.5 mm (2.5 to 16 mm <sup>2</sup> ) Fits onto functional uprights with supplied lugs
1	373 02	<b>Flat copper bar 12 x 4 with clamps</b> Supplied with clamp connectors (40 x 1.5 to 4 mm <sup>2</sup> , 4 x 6 to 16 mm <sup>2</sup> , 1 x 35 mm <sup>2</sup> ) Length 455 mm Fits onto functional uprights in XL <sup>3</sup> 400 cabinets and enclosures or on rail with wire guides Cat.No 200 94

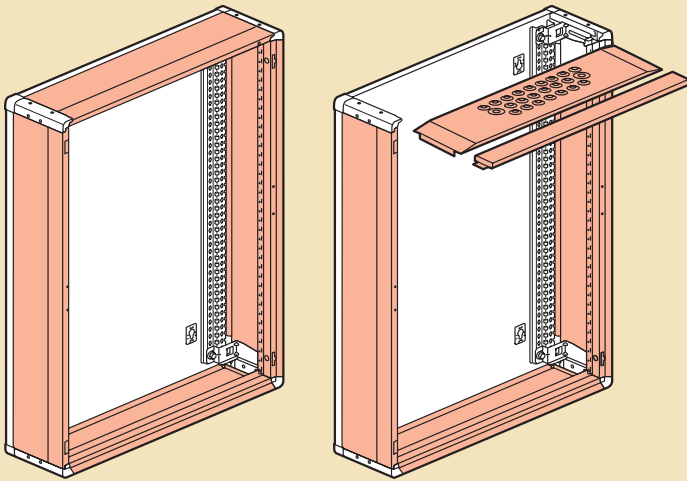
Pack	Cat.Nos	Connection of protective conductor (continued)										
1	373 85	<b>Equipotential link conductor</b> Length 350 mm Cross-section 6 mm <sup>2</sup> , ensures equipotential continuity when fitting auxiliaries on door (Osmoz signalling units > 50 V)										
10	373 49	<b>No perforated copper bar</b> <table border="1"> <thead> <tr> <th>Cross section (mm)</th> <th>Permis. I (A)</th> <th>Length (mm)</th> </tr> </thead> <tbody> <tr> <td>12 x 4</td> <td>180</td> <td>991.5</td> </tr> </tbody> </table>	Cross section (mm)	Permis. I (A)	Length (mm)	12 x 4	180	991.5				
Cross section (mm)	Permis. I (A)	Length (mm)										
12 x 4	180	991.5										
100	373 60	<b>Connectors for bar 12 x 4 without holes</b> 1.5 to 4 mm <sup>2</sup>										
10	373 61	6 to 16 mm <sup>2</sup>										
10	373 62	10 to 35 mm <sup>2</sup> (supplied with M6 screws 5 mm)										
10	373 89	<b>Copper bar with tapped holes</b> <table border="1"> <thead> <tr> <th>Cross-section (mm)</th> <th>Permis. I (A)</th> <th>Tapped holes Ø (mm)</th> <th>Pitch</th> <th>Length (mm)</th> </tr> </thead> <tbody> <tr> <td>12 x 4</td> <td>160</td> <td>M5</td> <td>18</td> <td>990</td> </tr> </tbody> </table>	Cross-section (mm)	Permis. I (A)	Tapped holes Ø (mm)	Pitch	Length (mm)	12 x 4	160	M5	18	990
Cross-section (mm)	Permis. I (A)	Tapped holes Ø (mm)	Pitch	Length (mm)								
12 x 4	160	M5	18	990								
100	373 65	<b>Connectors for 12 x 4 mm bar with tapped holes</b> 1 or 2 conductors from 1.5 to 10 mm <sup>2</sup> (supplied with Ø5 screws)										
10	393 99	<b>Support end cap</b> For symmetrical rail, 15 mm depth and symmetrical EN 60715  7.5 mm <sup>(1)</sup> and 15 mm depth Takes bar for protective conductors • Brass bar Cat.Nos 373 00/01 • Copper bar 12 x 4 mm with clamps Cat.No 373 02 • IP 2X terminal block with flat steel bar 12 x 2 mm Cat.No 048 19 • Copper bar 12 x 4 mm Cat.Nos 373 49 or 373 89										

(1) Exept rail fixed on plate

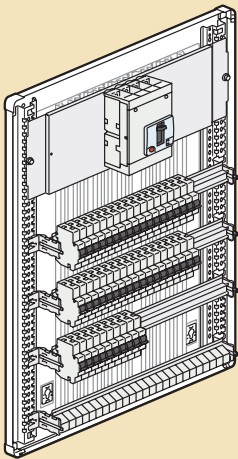
# XL<sup>3</sup> 400

## ■ Installation principle

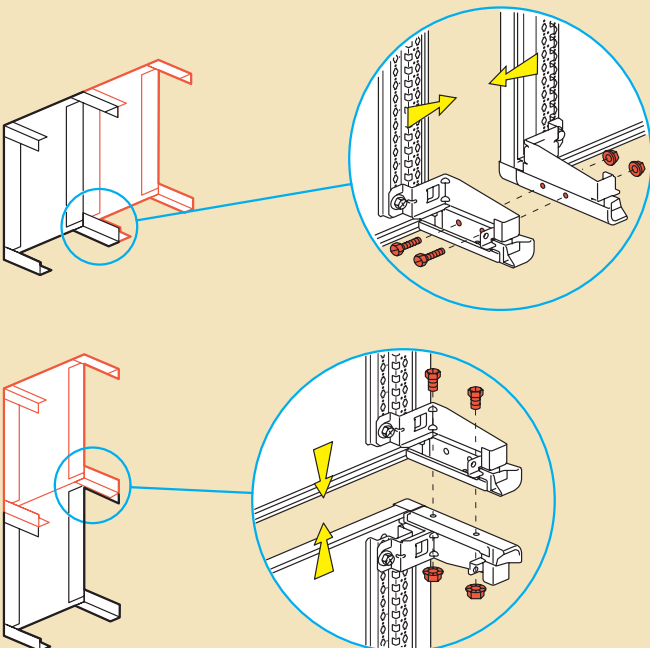
Side panels can be removed individually  
Metal cabinets



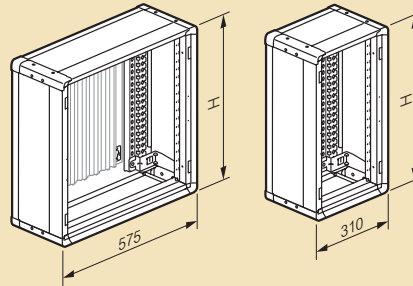
Total accessibility  
Insulating cabinets



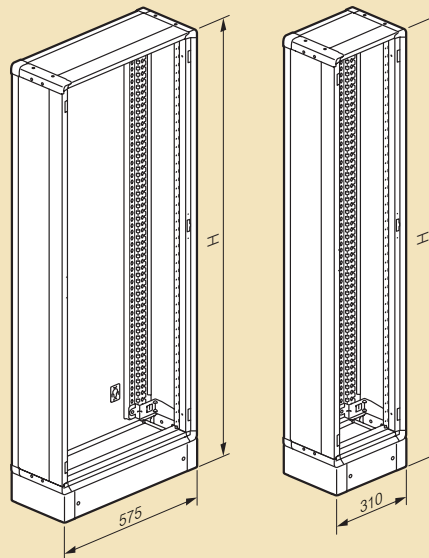
Horizontal joining, no tool required



## ■ Dimensions

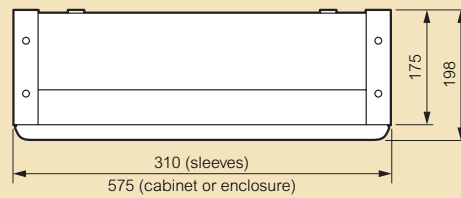


Cabinets Cat.Nos	Sleeves Cat.Nos	H (mm)
201 03	201 23	600
201 04	201 24	750
201 05	201 25	900
201 06	201 26	1050
201 07	201 27	1200
201 08	201 28	1500



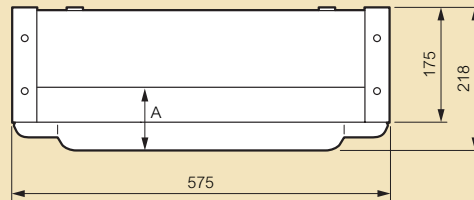
Enclosures Cat.Nos	Sleeves Cat.Nos	H (mm)
201 18	201 38	1600
201 19	201 39	1900

With flat door



Doors	A (mm)
Glass	34
Metal	38

With curved door



Doors	A (mm)
Glass	53
Metal	57